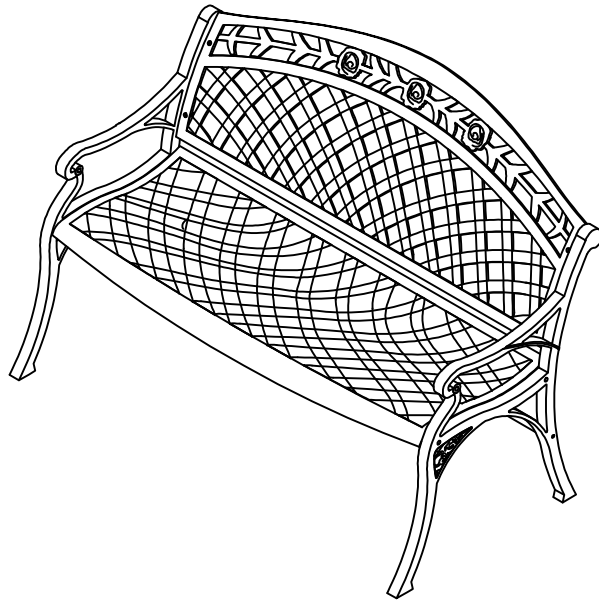


## Garden bench

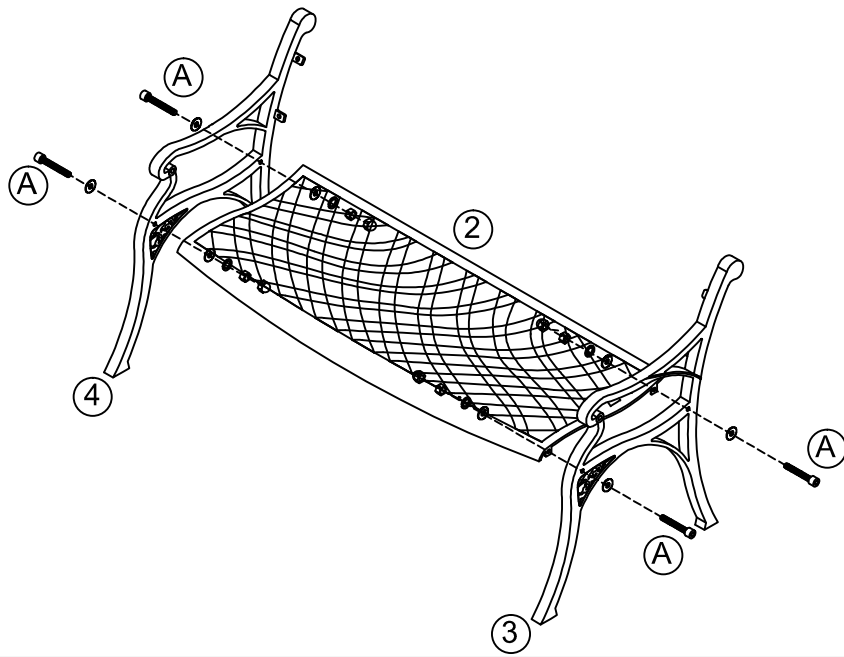
**Notice:**

- 1. Follow the installation instructions. Please confirm all accessories are preset before installation.**
- 2. Do not fully tighten the screws during initial assembly. Fully tighten screws only once all pieces which are correctly assembled.**
- 3. If you encounter any problems during installation, please contact our customer service.**

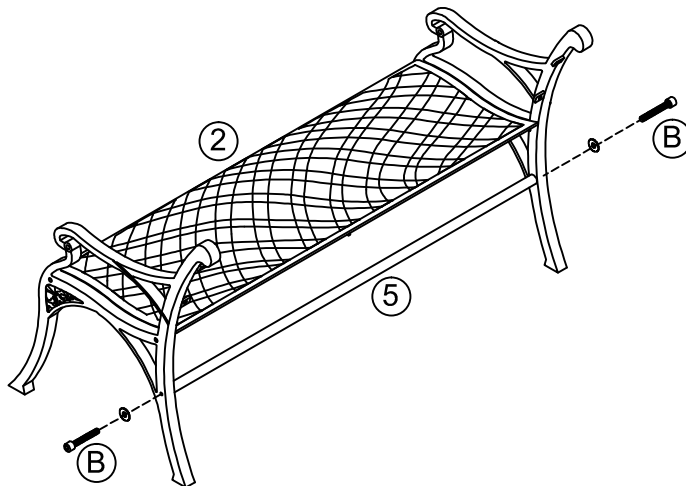


1		1PC	4		1PC
2		1PC	5		1PC
3		1PC	A	<p>M8*30 Bolt</p>	4PCS
			B	<p>M8*15 Bolt</p>	2PCS
			C	<p>M8*30 Bolt</p>	4PCS

1



2



3

